

## Professional equipment for cafes, bars, restaurants!



- experience in the manufacture and supply of equipment since 1993
- manufacturing and warehouse base (Kiev), more than 1500 m<sup>2</sup>.
- customer service (warranty and after-sales service);

[fast serve modules](#)

[cup dispenser modules](#)

[fry dump stations and food shutes](#)

[Additioanl units](#)

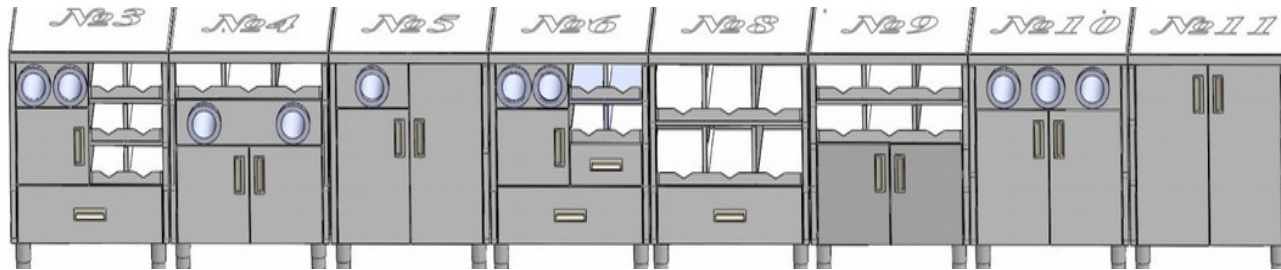
**'Master-1" P.E.**  
**Ukraine, Kiev**  
**L.Kurbas ave, 2-B**  
**tel./fax: +38(044) 496-20-07, -08, -09**  
**[admin@orest.ua](mailto:admin@orest.ua)**  
**[www.orest.ua /en](http://www.orest.ua/en)**





Master-1 P.E.  
 Ukraine, Kiev, L.Kurbasa ave 2-B  
 tel./fax: +38/044/496-20-07; -08; -09; +38/044/407-17-67  
[www.orest.ua/en](http://www.orest.ua/en) [admin@orest.ua](mailto:admin@orest.ua)

# Fast food



Fast serve modules of FAST-FOOD series represent specially designed elements for serving of dishes in fast-food storefronts. Pedestal-tables are equipped with dispensers for single-use glasses of different types and diameters as well as with different functional compartments for packages and accompanying accessories (plastic tubes, packs, small boxes and etc.). All the elements are standardized, as well as made of stainless steel and can be installed in a one line. Height-adjusted stainless supports enable to interpose all the line elements on the level.

### Fast serve modules Orest of FAST FOOD line

Model	Overall dimensions, mm			Price EUR
	Length	Width (depth)	Height	
TF-3	700	700	850	569
TF-4				525
TF-5				358
TF-6				598
TF-8				264
TF-9				274
TF-10				623
TF-11				236

Model	Overall dimensions, mm			Price EUR
	Length	Width (depth)	Height	
TF-3.2	700	600	850	549
TF-4.2				510
TF-5.2				350
TF-6.2				579
TF-8.2				248
TF-9.2				269
TF-10.2				611
TF-11.2				235

<b>TF-3 (3.2)</b>	- 2 dispensers (inox) for cups - A storage compartment for glasses with hinged door - 6 compartments for storage and distribution of paper bags - drawer storage equipment / packaging	<b>TF-8 (8.2)</b>	- 6 compartments for storage and distribution of paper bags and other packaging - 1 drawer.
<b>TF-4 (4.2)</b>	- 3 compartments for storing and dispensing paper bags - 2 dispensers (inox) for cups - 1 unit for inventory storage / packaging 2 hinged doors, 2 shelves (including the bottom)	<b>TF-9 (9.2)</b>	- 6 compartments for storage and distribution of paper bags and other packaging - 1 compartment for storing packaging / inventory - 2 hinged doors and 2 shelves (including the bottom)
<b>TF-5 (5.2)</b>	- 1 dispenser (inox) for cups - 1 compartment for storing inventory / packing with two hinged doors and two shelves (including the bottom)	<b>TF-10 (10.2)</b>	- 3 dispensers (inox) for cups - storage compartment for packing / inventory - 2 hinged doors and 2 shelves including the bottom.
<b>TF-6 (6.2)</b>	- 2 cup dispensers (inox) - A storage compartment for glasses with hinged door - 4 compartments for storage and distribution of paper bags - 2 drawers for storage of inventory / packing	<b>TF-11 (11.2)</b>	- 2 large compartments for storage of inventory / packing - 2 hinged doors - 3 shelves (200 mm between shelves), including the bottom.

!!! We can manufacture customizing fast serve modules.

## Cup Dispenser modules

Modules is designed for distribution of glasses through dispensers. They are completely made of stainless steel. In difference from the cabinet with dispensers the foundation is mobile and can be easily transported from one place to another and thus it can be used in catering service. Furnishing with glasses is performed from the front-side. Diameter of the used glass depends on the dispenser type and is individually agreed with the customer.

### Vertical module BDV -3 (by 3 dispensers) —

465



250\*590\*580 mm

### Gorizintal module GDV -3 (by 2 dispensers) —

462



700\*590\*175 mm

You can use the cup dispensers modules as a stand for technological equipment (under food shute, fry dump station, showcase and etc).

**!!! We can manufacture customizing cup dispensers modules.**

fry dump stations and food shutes



**Master-1 P.E.**

**Ukraine, Kiev, L.Kurbasa ave 2-B**

**tel./fax: +38/044/496-20-07; -08; -09; +38/044/407-17-67**

**[www.orest.ua/en](http://www.orest.ua/en) [admin@orest.ua](mailto:admin@orest.ua)**

### Food Chutes VTB serie

**Highly effective solution to merchandising and serving burgers, hot dogs etc. Simple constructions and controls make this unit the obvious choice when temporary unskilled labour is employed.**

Hygienic all stainless steel construction.

A simple ON/OFF switch operates the heat shelves.

Designed for front and rear loading and unloading.

Complete with lane listing strips & holders.

Dual heating each tier - the top shelf and infrared heating (in models with index IH)

Model	power, kW	Voltage, V	Overall dimensions, mm			Price, EUR
			Length	Depth	Height	
VTB-0.8	0,62	220	800	600	730	405
VTB-0.8_IH	1,05	220	800	600	730	497
VTB-1.1	1,02	220	1100	600	730	653
VTB-1.1_IH	1,6	220	1100	600	730	529



### Fry Dump stations FB

Fry holding station for French fries are applied in fast-food storefronts for keeping of prepared french fries in warm condition immediately before its serving.

Fry holding stations is equipped with double heating system in the bottom and upper parts.

In the bottom part heating is performed by means of the Tubular Electric Heater, and in the upper part it is performed by means of the infrared heater.

Fry holding station has two compartments: thy first one is intended for storage of french fries (it is equipped with the tray designed for oil collection released from the product) and the second one is intended for storage of pre-packed french fries.

Model	Electric power, kW	Voltage, V	Overall dimensions, mm			Price, EUR
			Length	Depth	Height	
FB-1	1,2	220	500	600	300/900	317
FB-2	1,3	220	720	600	300/900	413





### Garbage unit TB-1

- stainless steel
- adjustable supports telescopic type
- winged doors and hatch

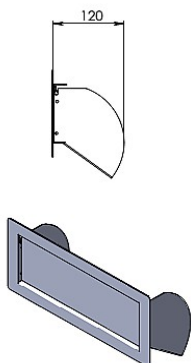
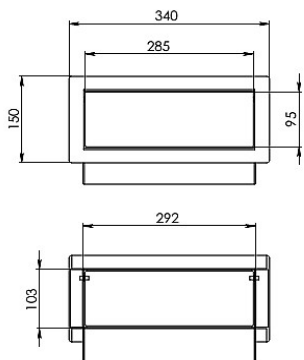


Model	Overall dimensions, mm			Price, EUR
	Length	Depth	Height	
TB-1	600	500	1000	197

### Mortise hatch for a trash compartment GV-1

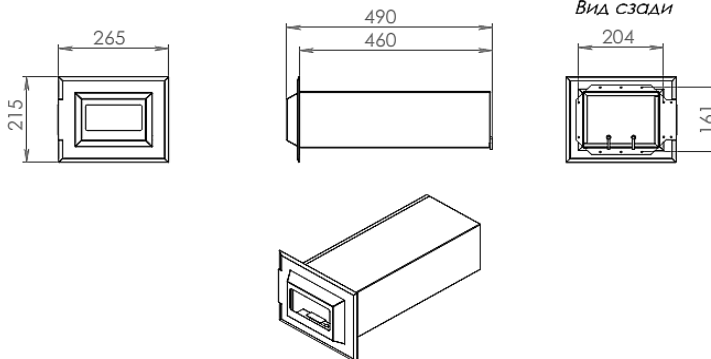
- stainless steel

29 eur



### Dispenser for napkins NDI

70 eur



made from stainless steel.

Mortise mount size 179x139 mm.

shaft length 460 mm for napkins.

Loading napkins takes place by opening the decorative cover to the side.

Perhaps the mount (incision) in the table top or wall of any material, whether wood, chipboard, MDF, plastic, and others.